

Vitamix XL[®] Variable Speed

Model: VM57556

Maximize your kitchen's possibilities.

The largest countertop blender available, the XL is engineered to reduce preparation time, significantly improve staff efficiency and expand your menu capabilities. With a powerful ~4.2 HP (peak output)* motor, it allows blending from the most delicate of ingredients (e.g. tomatoes) to dense meat. The Vitamix XL motor senses the load on the blender and can increase power to achieve the perfect blend. With its large capacity and ability to power through many types of foods, the Vitamix XL is an extremely valuable addition to kitchens in nursing homes, hospitals, retirement centres, schools, colleges and universities - the perfect tool for satisfying large groups of people!

Features

- Powerful ~4.2 HP (peak output)* belt driven motor.
- Large 5.6 Ltr XL container allows up to 24 (240 ml) servings; optional 2 Ltr XL container.
- Low counter top profile.
- Pulse function and variable speed control.
- High performance blade design.
- Tamper stick for whole food processing while blending.
- Ergonomically designed for safety and ease of use. Machine stops automatically when the cover over the lid is lifted.



Optional 2.0 Litre XL Container

VM57556 with 5.6 Litre XL Container



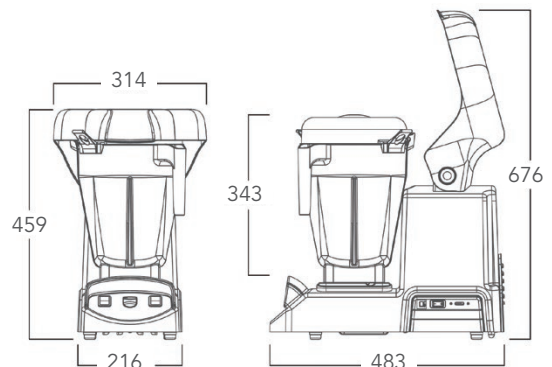
Tamper stick

Specifications

Motor: ~4.2 HP (peak output)* motor

Power: 10 Amp

Includes: 5.6 litre XL container complete with XL blade assembly, lid and Tamper stick



*Load dependent. Varies with voltage. All dimensions are nominal only. Covered by 3 years warranty (1 year parts and labour followed by 2 years parts only). Conditions apply. Refer to our Terms & Conditions of Trade.